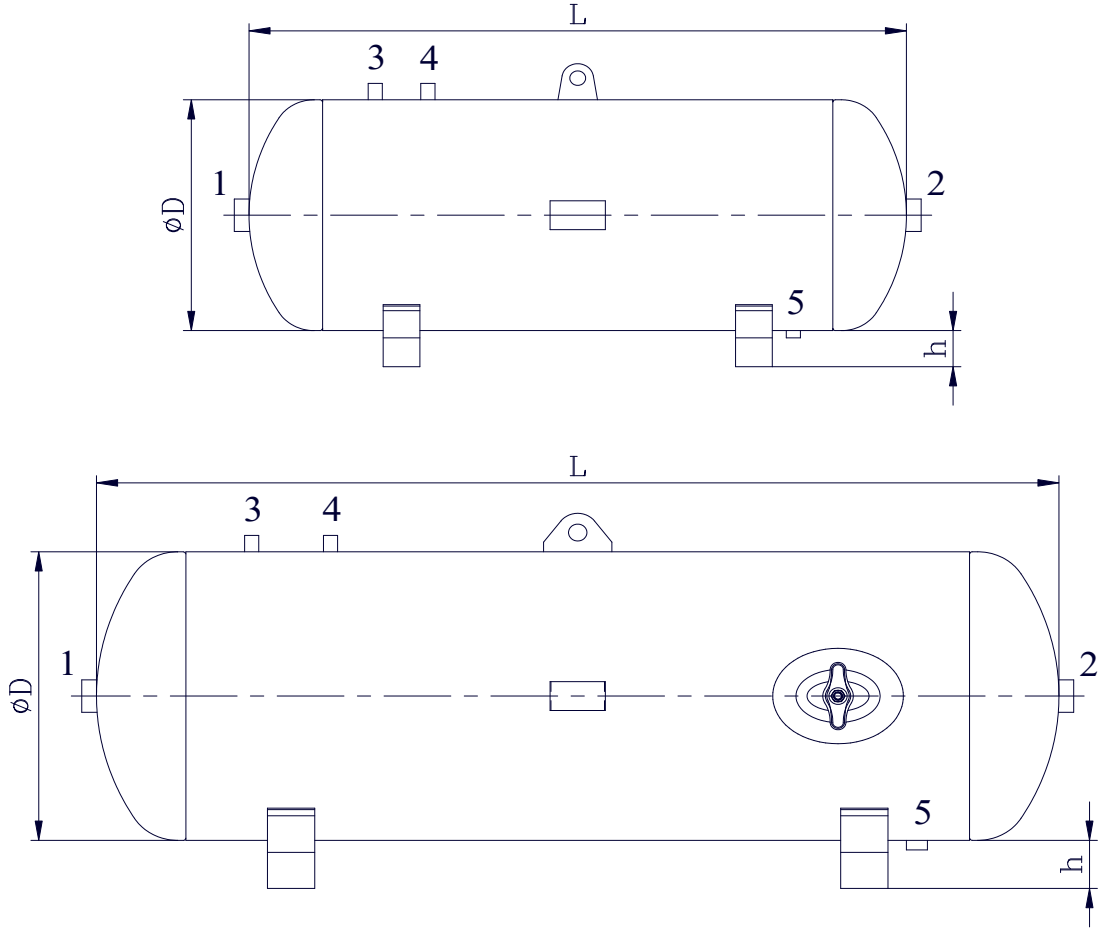
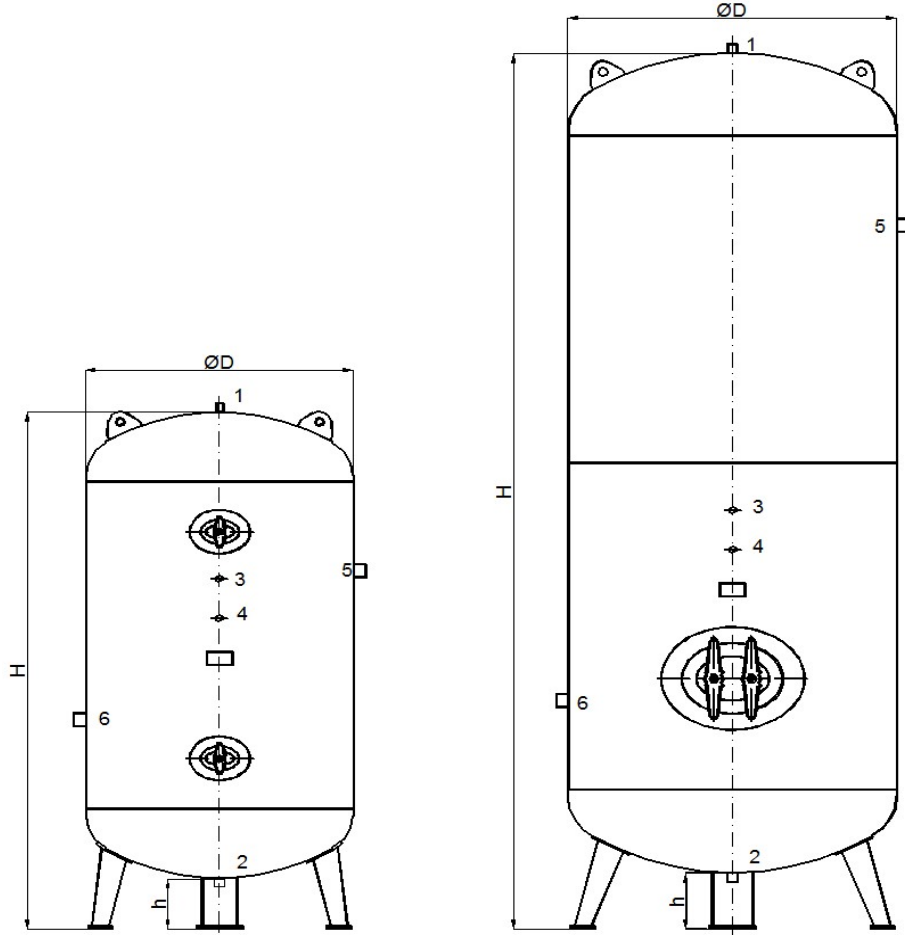


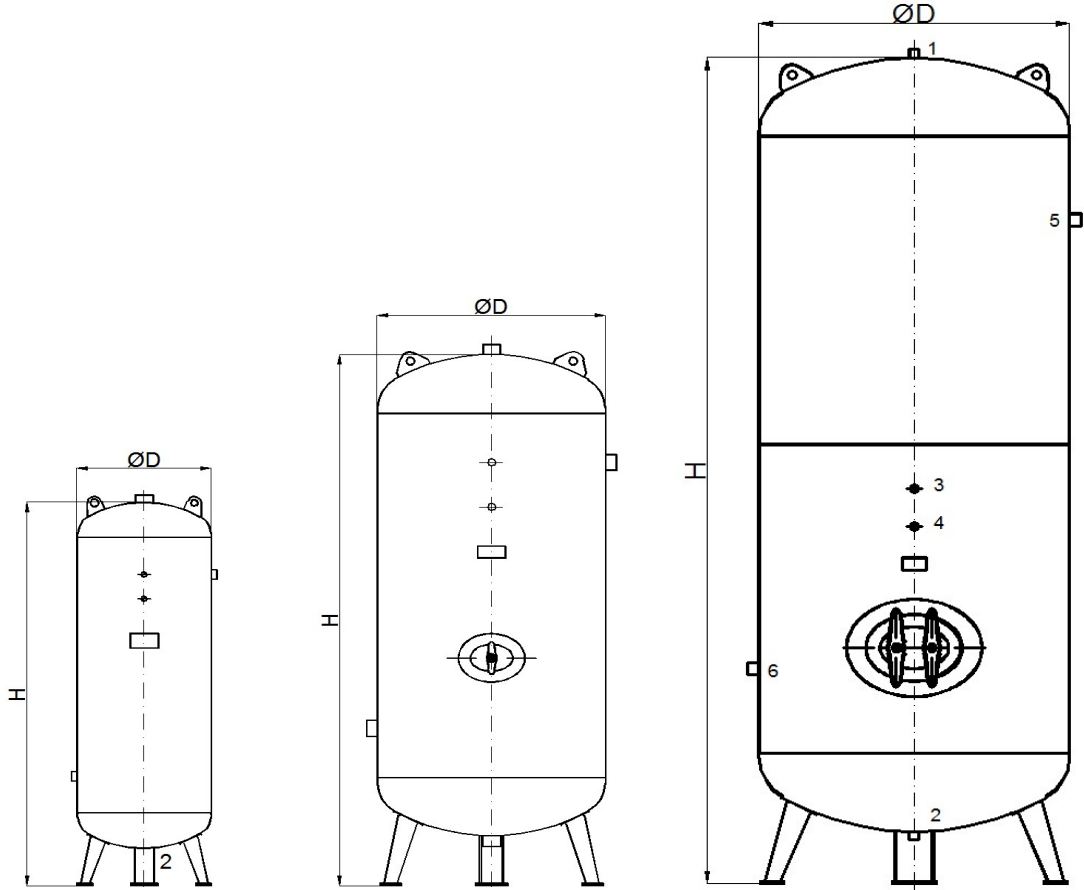
Hacim Volume	Tasarım Basıncı Design Pressure	φD mm	h mm	H mm	Nozullar / Nozzles			Açıklık Inspection Door
					1 - 2	3 - 4	5 - 6	
24 L	11 Bar	250	120	666	1"	1/2"	1"	-
50 L	11 Bar	323	150	822	2"	1/2"	1"	-
100 L	11 Bar	385	150	1104	2"	1/2"	1"	-
150 L	11 Bar	450	150	1158	2"	1/2"	1"	-
200 L	11 Bar	480	150	1400	2"	1/2"	1"	-
250 L	11 Bar	480	150	1610	2"	1/2"	1"	-
300 L	11 Bar	480	150	1910	2"	1/2"	1"	-
500 L	11 Bar	600	200	2030	1/2"	1/2"	1"	110 x 160
750 L	11 Bar	750	200	2094	1/2"	1/2"	2"	110 x 160
24 L	16 Bar	250	120	666	1"	1/2"	1"	-
50 L	16 Bar	323	150	830	2"	1/2"	1"	-
100 L	16 Bar	385	150	1112	2"	1/2"	1"	-
150 L	16 Bar	450	150	1172	2"	1/2"	1"	-
200 L	16 Bar	480	150	1406	2"	1/2"	1"	-
250 L	16 Bar	480	150	1616	2"	1/2"	1"	-
300 L	16 Bar	480	150	1916	2"	1/2"	1"	-
500 L	16 Bar	600	200	2044	1/2"	1/2"	1"	110 x 160



Hacim Volume	Tasarım Basıncı Design Pressure	øD mm	h mm	L mm	Nozullar / Nozzles			Açıklık Inspection Door
					1 - 2	3 - 4	5	
24 L	11 Bar	250	50	546	1"	1/2"	1/2"	-
50 L	11 Bar	323	55	672	2"	1/2"	1/2"	-
100 L	11 Bar	385	60	954	2"	1/2"	1/2"	-
150 L	11 Bar	450	70	1008	2"	1/2"	1/2"	-
200 L	11 Bar	480	75	1250	2"	1/2"	1/2"	-
250 L	11 Bar	480	75	1460	2"	1/2"	1/2"	-
300 L	11 Bar	480	75	1760	2"	1/2"	1/2"	-
500 L	11 Bar	600	100	1830	2"	1/2"	1/2"	110 x 160
750 L	11 Bar	750	100	1894	2"	1/2"	1/2"	110 x 160
24 L	16 Bar	250	50	546	1"	1/2"	1/2"	-
50 L	16 Bar	323	55	680	2"	1/2"	1/2"	-
100 L	16 Bar	385	60	962	2"	1/2"	1/2"	-
150 L	16 Bar	450	70	1022	2"	1/2"	1/2"	-
200 L	16 Bar	480	75	1256	2"	1/2"	1/2"	-
250 L	16 Bar	480	75	1466	2"	1/2"	1/2"	-
300 L	16 Bar	480	75	1766	2"	1/2"	1/2"	-
500 L	16 Bar	600	100	1844	2"	1/2"	1/2"	110 x 160



Hacim Volume	Tasarım Basıncı Design Pressure	φD mm	h mm	H mm	Nozullar / Nozzles			Açıklık Inspection Door
					1 - 2	3 - 4	5 - 6	
1.000 L	11 Bar	850	200	2146	2" - 1/2"	1/2"	2"	110x160
1.500 L	11 Bar	1000	180	2212	1"	1/2"	2"	110x160 (2)
2.000 L	11 Bar	1150	200	2308	1"	1/2"	3"	110x160 (2)
3.000 L	11 Bar	1200	200	3050	1"	3/4"	3"	320x420
4.000 L	11 Bar	1350	250	3170	1"	3/4"	3"	320x420
5.000 L	11 Bar	1350	250	3940	1"	3/4"	3"	320x420
5.000 L	11 Bar	1600	300	3150	1"	3/4"	3"	320x420
6.000 L	11 Bar	1600	300	3650	1"	3/4"	3"	320x420
7.000 L	11 Bar	1600	300	4120	1"	3/4"	3"	320x420
8.000 L	11 Bar	1600	300	4620	1"	3/4"	3"	320x420
9.000 L	11 Bar	1600	300	5120	1"	3/4"	3"	320x420
10.000 L	11 Bar	1600	300	5620	1"	3/4"	3"	320x420
750 L	16 Bar	750	200	2100	2" - 1/2"	1/2"	2"	110x160
1.000 L	16 Bar	850	200	2152	2" - 1/2"	1/2"	2"	110x160
1.500 L	16 Bar	1000	180	2212	1"	1/2"	2"	110x160 (2)
2.000 L	16 Bar	1150	200	2322	1"	1/2"	3"	110x160 (2)
3.000 L	16 Bar	1200	200	3050	1"	3/4"	3"	320x420
4.000 L	16 Bar	1350	250	3170	1"	3/4"	3"	320x420
5.000 L	16 Bar	1350	250	3940	1"	3/4"	3"	320x420
5.000 L	16 Bar	1600	300	3150	1"	3/4"	3"	320x420
6.000 L	16 Bar	1600	300	3650	1"	3/4"	3"	320x420
7.000 L	16 Bar	1600	300	4120	1"	3/4"	3"	320x420
8.000 L	16 Bar	1600	300	4620	1"	3/4"	3"	320x420
9.000 L	16 Bar	1600	300	5120	1"	3/4"	3"	320x420
10.000 L	16 Bar	1600	300	5620	1"	3/4"	3"	320x420



Hacim Volume	Tasarım Basıncı Design Pressure	$\phi D$ mm	h mm	H mm	Nozullar / Nozzles			Açıklık Inspection Door
					1 - 2	3 - 4	5 - 6	
100 L	40 Bar	385	150	1098	2"	1/2"	1"	-
200 L	40 Bar	457	150	1488	2"	1/2"	1"	-
300 L	40 Bar	457	150	2118	2"	1/2"	1"	110 x 160
500 L	40 Bar	600	150	2048	1"	1/2"	1"	110 x 160
750 L	40 Bar	750	200	2132	1"	1/2"	1"	110 x 160
1.000 L	40 Bar	850	200	2196	1"	1/2"	2"	110 x 160
1.500 L	40 Bar	1000	180	2253	1"	1/2"	2"	320 x 420
2.000 L	40 Bar	1150	200	2370	1"	1/2"	3"	320 x 420
3.000 L	40 Bar	1250	200	2928	1"	3/4"	3"	320 x 420
4.000 L	40 Bar	1600	300	2730	1"	3/4"	3"	320 x 420
5.000 L	40 Bar	1600	300	3230	1"	3/4"	3"	320 x 420
6.000 L	40 Bar	1600	300	3786	1"	3/4"	3"	320 x 420
7.000 L	40 Bar	1600	300	4256	1"	3/4"	3"	320 x 420
8.000 L	40 Bar	1600	300	4756	1"	3/4"	3"	320 x 420
9.000 L	40 Bar	1600	300	5256	1"	3/4"	3"	320 x 420
10.000 L	40 Bar	1600	300	5756	1"	3/4"	3"	320 x 420