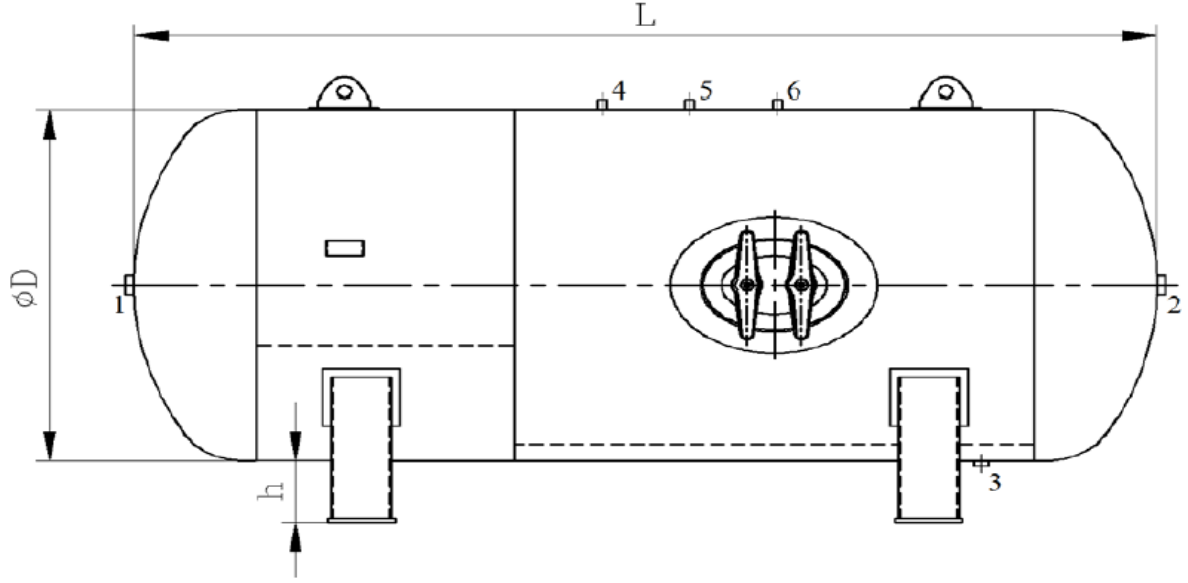


Hacim Volume	Tasarım Basıncı Design Pressure	ØD mm	H mm	h mm	Nozullar / Nozzles			Açıklık Inspection Door	BV Class
					1-2	3-4-5-6	7-8-9		
150 L	11 Bar	400	1540	200	1"-2"	1"	1/2"	110 x 160	II
250 L	11 Bar	500	1600	200	1"-2"	1"	1/2"	110 x 160	II
350 L	11 Bar	545	1860	200	1"-2"	1"	1/2"	110 x 160	I
500 L	11 Bar	600	2080	200	1"-2"	1"	1/2"	110 x 160	I
750 L	11 Bar	750	2070	200	1"-2"	1"	1/2"	110 x 160	I
1000 L	11 Bar	850	2220	200	1"	1"	1/2"	320 x 420	I
1500 L	11 Bar	1000	2340	200	1"	2"	1/2"	320 x 420	I
2000 L	11 Bar	1200	2380	200	1"	2"	1/2"	320 x 420	I
3000 L	11 Bar	1200	3115	200	1"	2"	1/2"	320 x 420	I
4000 L	11 Bar	1200	3860	200	1"	2"	1/2"	320 x 420	I
5000 L	11 Bar	1400	3960	200	1"	2"	1/2"	320 x 420	I
150 L	16 Bar	400	1540	200	1"-2"	1"	1/2"	110 x 160	II
250 L	16 Bar	500	1600	200	1"-2"	1"	1/2"	110 x 160	I
350 L	16 Bar	545	1860	200	1"-2"	1"	1/2"	110 x 160	I
500 L	16 Bar	600	2080	200	1"-2"	1"	1/2"	110 x 160	I
750 L	16 Bar	750	2070	200	1"-2"	1"	1/2"	110 x 160	I
1000 L	16 Bar	850	2220	200	1"	1"	1/2"	320 x 420	I
1500 L	16 Bar	1000	2340	200	1"	2"	1/2"	320 x 420	I
2000 L	16 Bar	1200	2380	200	1"	2"	1/2"	320 x 420	I
3000 L	16 Bar	1200	3115	200	1"	2"	1/2"	320 x 420	I
4000 L	16 Bar	1200	3860	200	1"	2"	1/2"	320 x 420	I
5000 L	16 Bar	1400	3960	200	1"	2"	1/2"	320 x 420	I
150 L	33 Bar	400	1540	200	1"-2"	1"	1/2"	110 x 160	I
250 L	33 Bar	500	1600	200	1"-2"	1"	1/2"	110 x 160	I
350 L	33 Bar	545	1860	200	1"-2"	1"	1/2"	110 x 160	I
500 L	33 Bar	600	2080	200	1"-2"	1"	1/2"	110 x 160	I
750 L	33 Bar	750	2070	200	1"-2"	1"	1/2"	110 x 160	I
1000 L	33 Bar	850	2220	200	1"	1"	1/2"	320 x 420	I
1500 L	33 Bar	1000	2340	200	1"	2"	1/2"	320 x 420	I
2000 L	33 Bar	1200	2380	200	1"	2"	1/2"	320 x 420	I



Hacim Volume	Tasarım Basıncı Design Pressure	øD mm	L mm	h mm	Nozullar / Nozzles			Açıklık Inspection Door	BV Class
					1-2	3-4	5-6		
2000 L	7 Bar	1200	2140	250	-	DN25	1/2"	320 x 420	I
3000 L	11 Bar	1200	2915	210	2"	1"-1/2"	1/2"	320 x 420	I
5000 L	8 Bar	1400	3760	210	2"	1"-3/4"	1/2"	320 x 420	I