

Ürün Kodu Product Code	φD1 mm	φD2 mm	t mm	Özellik Feature
TB600-33-00033	110	160	3	B
TB600-33-00031	110	160	4	B
TB600-33-00034	110	160	5	B
TB600-33-00003	110	160	6	B
TB600-33-00035	110	160	7	B
TB600-33-00006	110	160	8	B
TB600-33-00036	320	420	5	A
TB600-33-00012	320	420	6	A
TB600-33-00037	320	420	7	A
TB600-33-00015	320	420	8	A
TB600-33-00038	320	420	9	A
TB600-33-00039	320	420	10	A

Notlar:

•t = ham malzeme kalınlığı

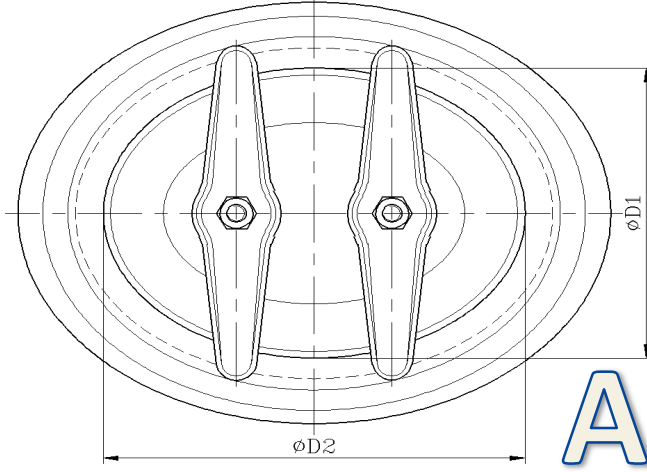
/ t = raw material thickness

•Ölçü toleransları için satış bölümümüze danışınız.

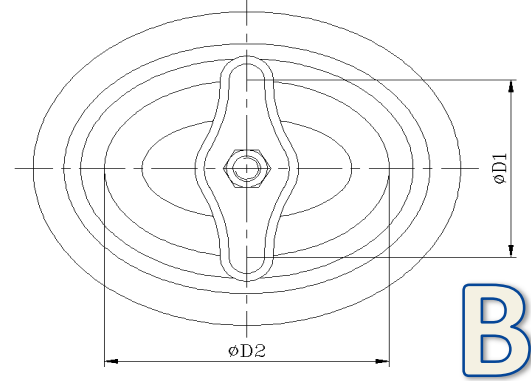
/ Please contact our sales team for dimension tolerances.

•Siparişte ürün kodu ve malzeme kalitesini mutlaka belirtiniz.

/ In your inquires, please indicate product code and material grade.



A



B

Ürün Kodu Product Code	φD1 mm	φD2 mm	t mm	Özellik Feature	Yüzey İşlem Surface Finish
TB600-33-50033	110	160	3	B	Mat / Chemical Cleaning
TB600-33-50032	110	160	4	B	Mat / Chemical Cleaning
TB600-33-50034	110	160	5	B	Mat / Chemical Cleaning
TB600-33-50003	110	160	6	B	Mat / Chemical Cleaning
TB600-33-50035	110	160	7	B	Mat / Chemical Cleaning
TB600-33-50006	110	160	8	B	Mat / Chemical Cleaning
TB600-33-50040	110	160	3	B	Polisajlı / Polished
TB600-33-50031	110	160	4	B	Polisajlı / Polished
TB600-33-50041	110	160	5	B	Polisajlı / Polished
TB600-33-50042	110	160	6	B	Polisajlı / Polished
TB600-33-50043	110	160	7	B	Polisajlı / Polished
TB600-33-50044	110	160	8	B	Polisajlı / Polished
TB600-33-50059	320	420	4	A	Mat / Chemical Cleaning
TB600-33-50036	320	420	5	A	Mat / Chemical Cleaning
TB600-33-50012	320	420	6	A	Mat / Chemical Cleaning
TB600-33-50037	320	420	7	A	Mat / Chemical Cleaning
TB600-33-50015	320	420	8	A	Mat / Chemical Cleaning
TB600-33-50038	320	420	9	A	Mat / Chemical Cleaning
TB600-33-50039	320	420	10	A	Mat / Chemical Cleaning
TB600-33-50058	320	420	4	A	Polisajlı / Polished
TB600-33-50045	320	420	5	A	Polisajlı / Polished
TB600-33-50046	320	420	6	A	Polisajlı / Polished
TB600-33-50047	320	420	7	A	Polisajlı / Polished
TB600-33-50048	320	420	8	A	Polisajlı / Polished
TB600-33-50049	320	420	9	A	Polisajlı / Polished
TB600-33-50050	320	420	10	A	Polisajlı / Polished

Notlar:

•t = ham malzeme kalınlığı

/ t = raw material thickness

•Ölçü toleransları için satış bölümümüze danışınız.

/ Please contact our sales team for dimension tolerances.

•Siparişte ürün kodu ve malzeme kalitesini mutlaka belirtiniz.

/ In your inquires, please indicate product code and material grade.